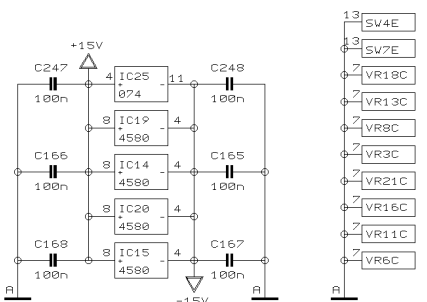
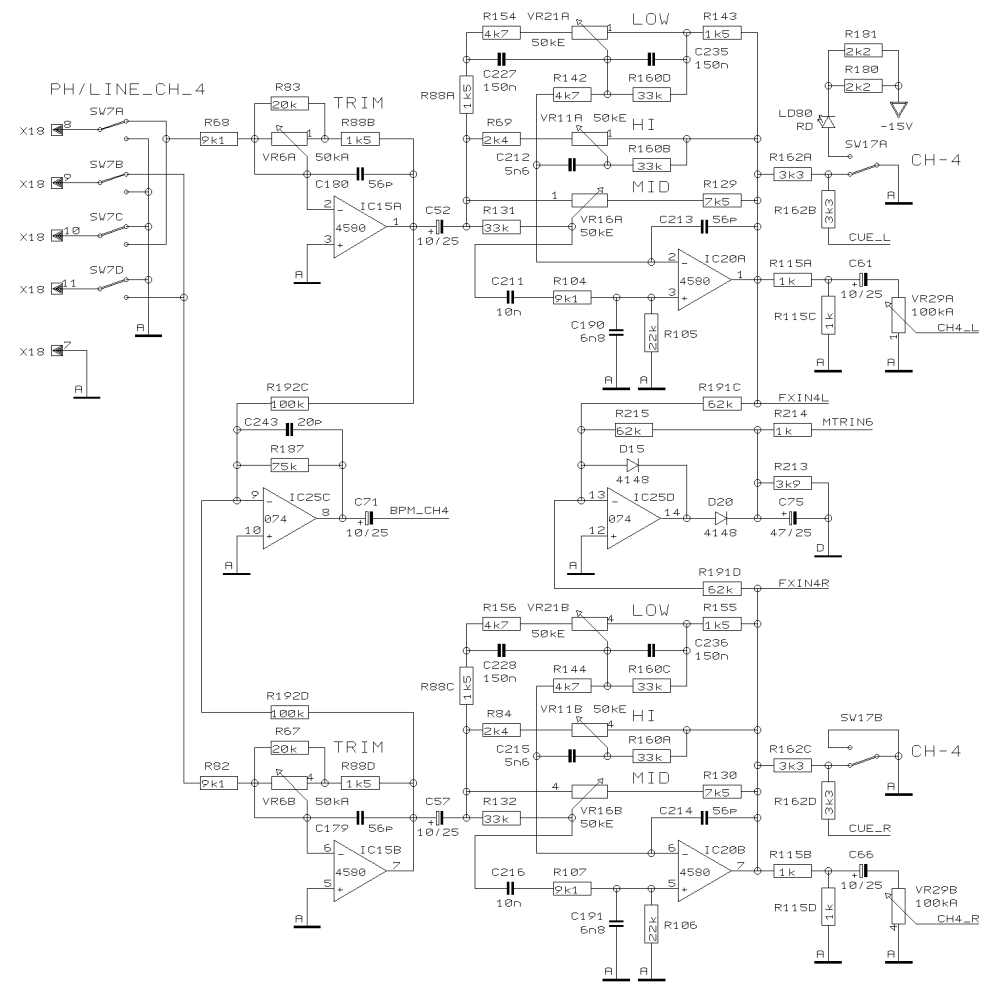
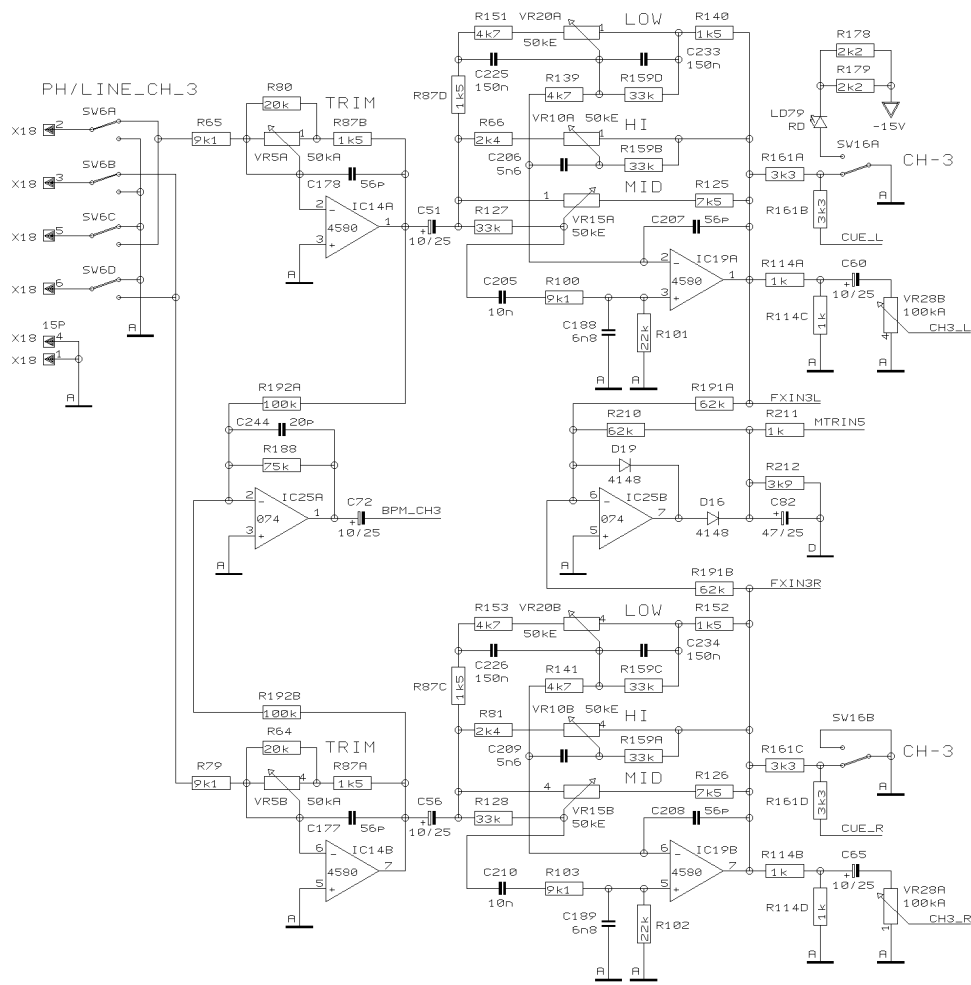


REVISIONS F (19/09/03)

DRAWN ORO CHECKED DATE 20.04.4 11:31



PROJECT DJX700 PRO MIXER INPUT CHANNEL 1/2 SHEET 1 OF 9 SHEETS TOTAL



REVISIONS F

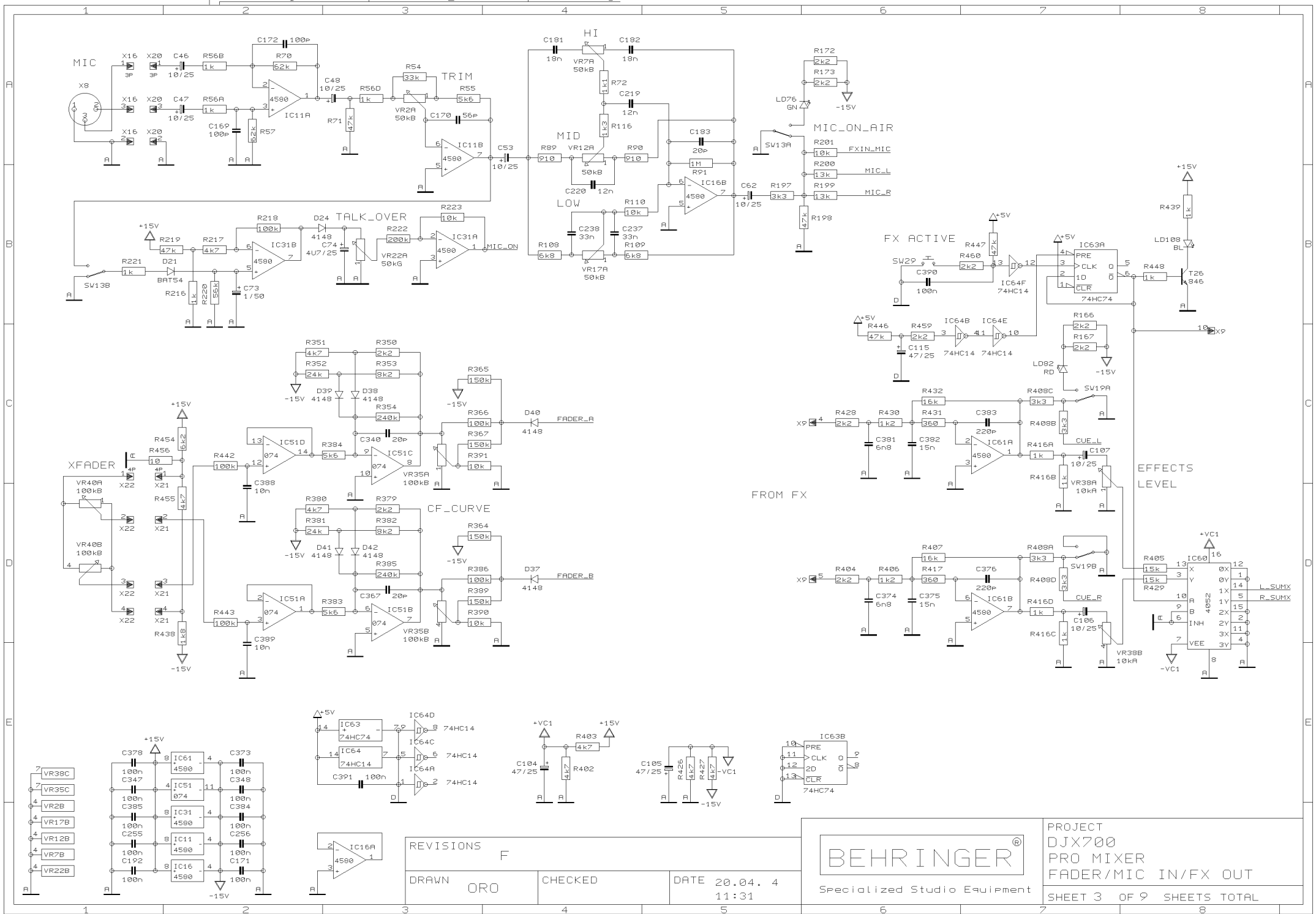
DRAWN ORO

CHECKED

DATE 20.04.4  
11:31



PROJECT  
DJX700  
PRO MIXER  
INPUT CHANNEL 3/4  
SHEET 2 OF 9 SHEETS TOTAL



REVISIONS F

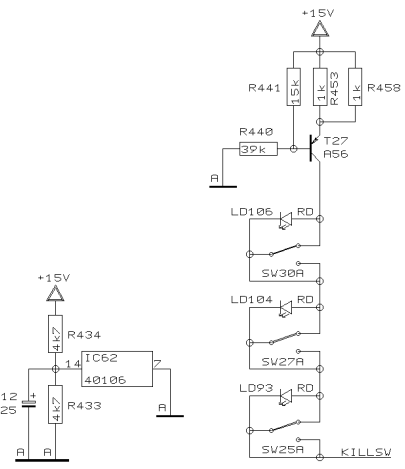
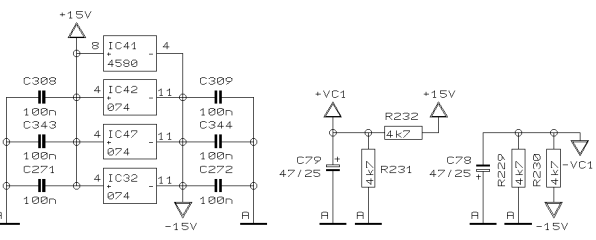
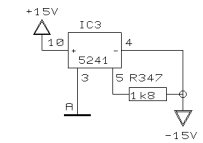
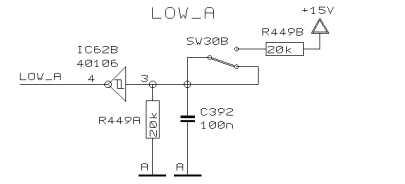
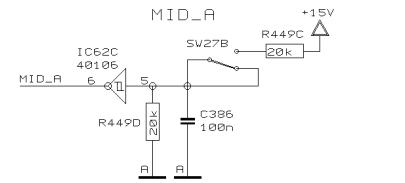
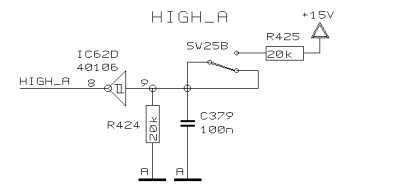
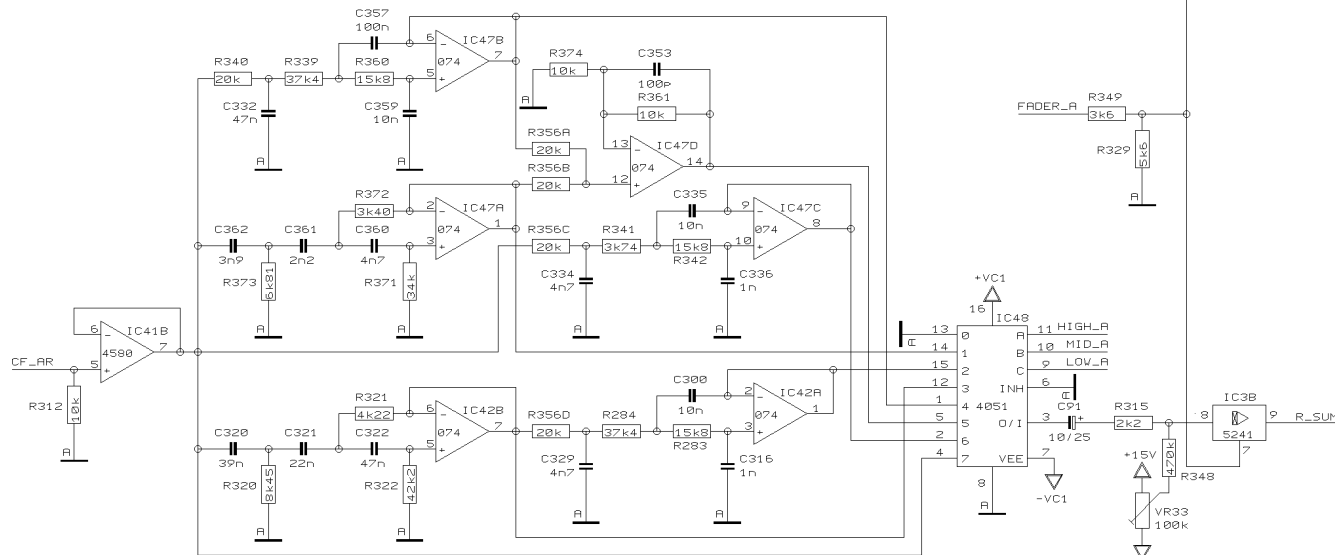
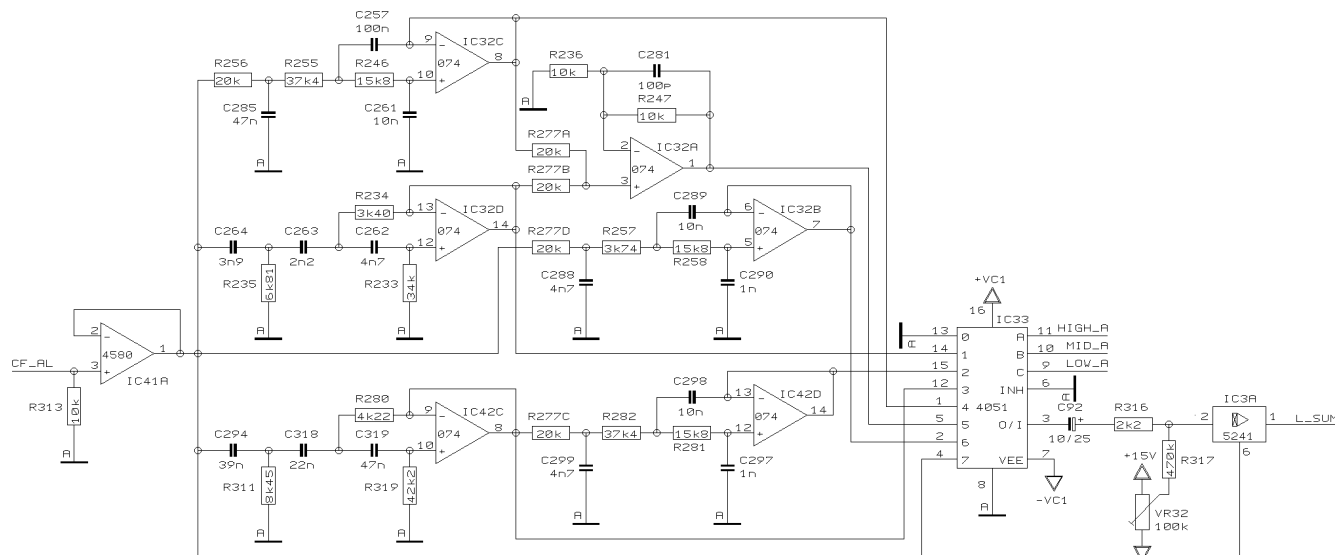
DRAWN ORO

CHECKED

DATE 20.04. 4  
11:31



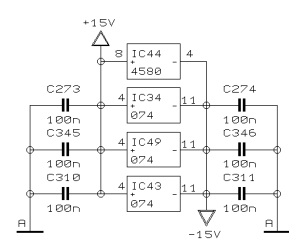
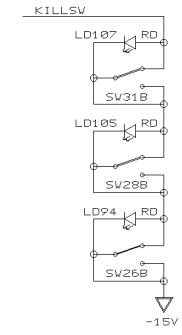
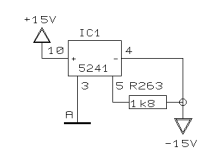
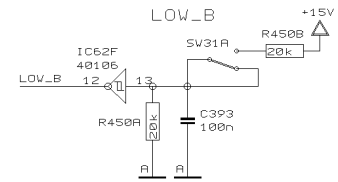
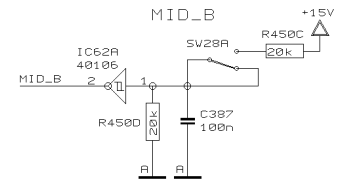
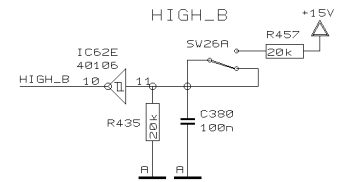
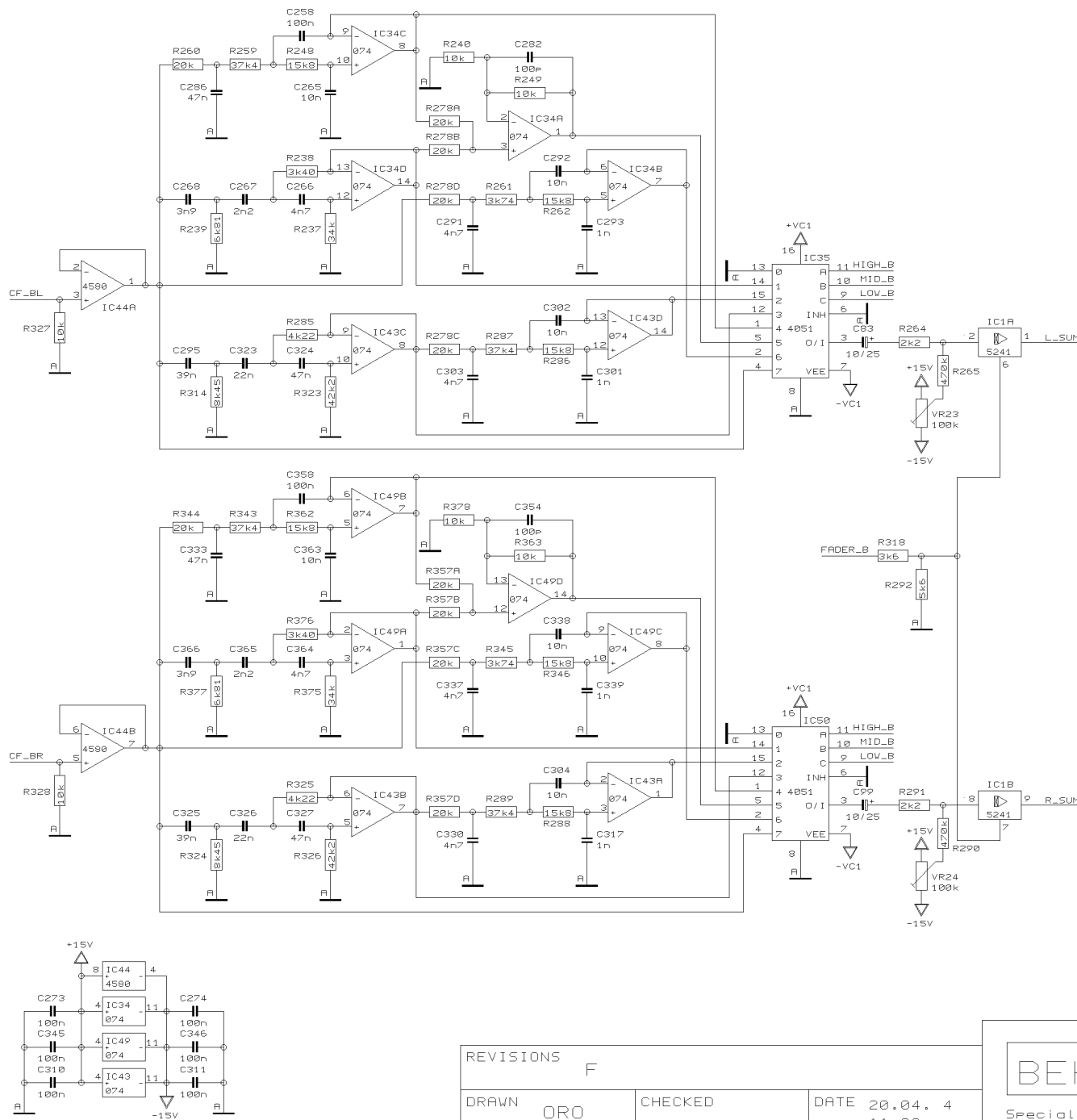
PROJECT  
DJX700  
PRO MIXER  
FADER/MIC IN/FX OUT  
SHEET 3 OF 9 SHEETS TOTAL



REVISIONS		F	
DRAWN	ORO	CHECKED	
DATE 20.04.4		11:32	



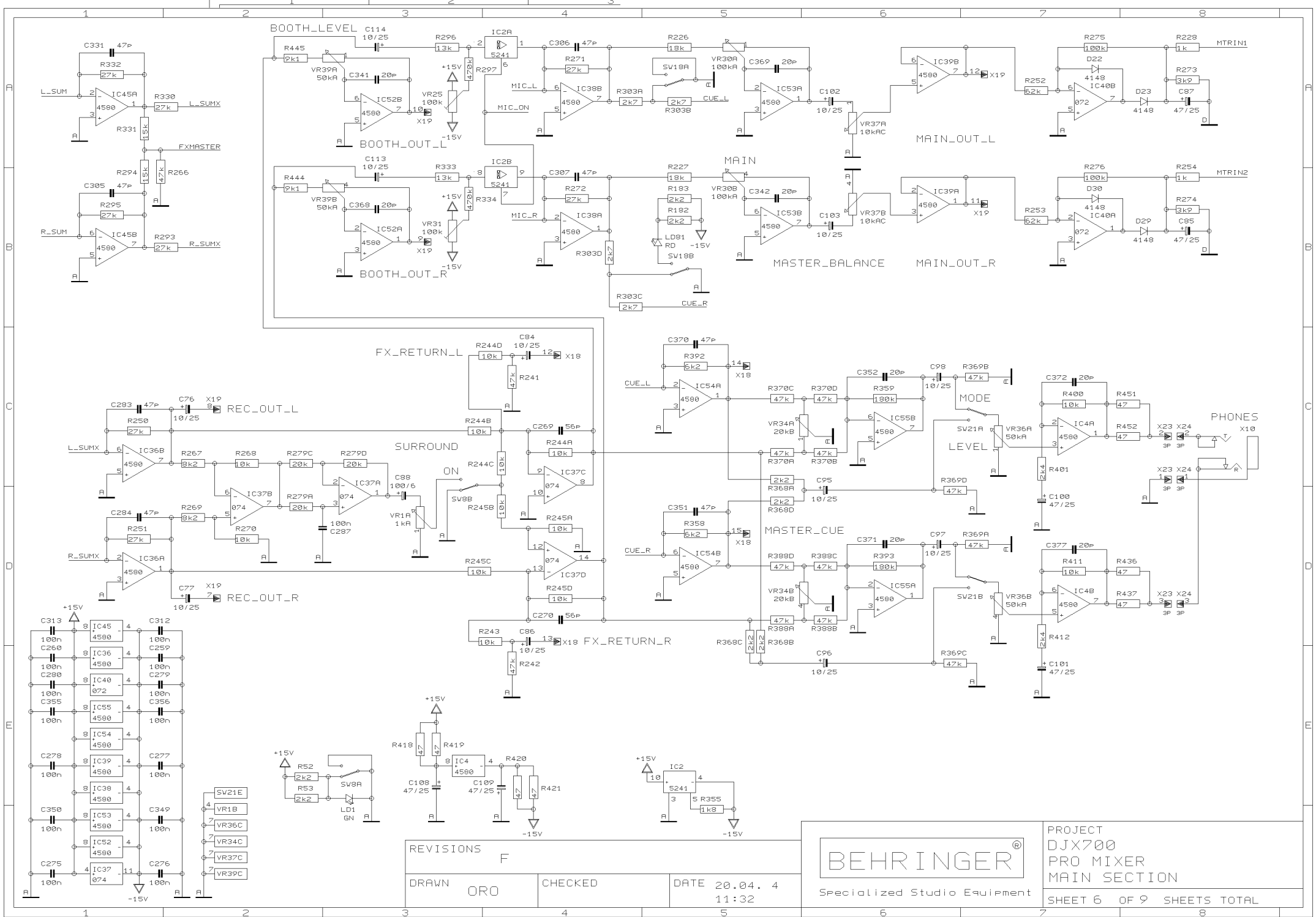
PROJECT  
DJX700  
PRO MIXER  
KILL\_A  
SHEET 4 OF 9 SHEETS TOTAL



REVISIONS		F	
DRAWN	ORO	CHECKED	
DATE 20.04.4		11:32	



PROJECT  
DJX700  
PRO MIXER  
KILL\_B  
SHEET 5 OF 9 SHEETS TOTAL



REVISIONS  
F

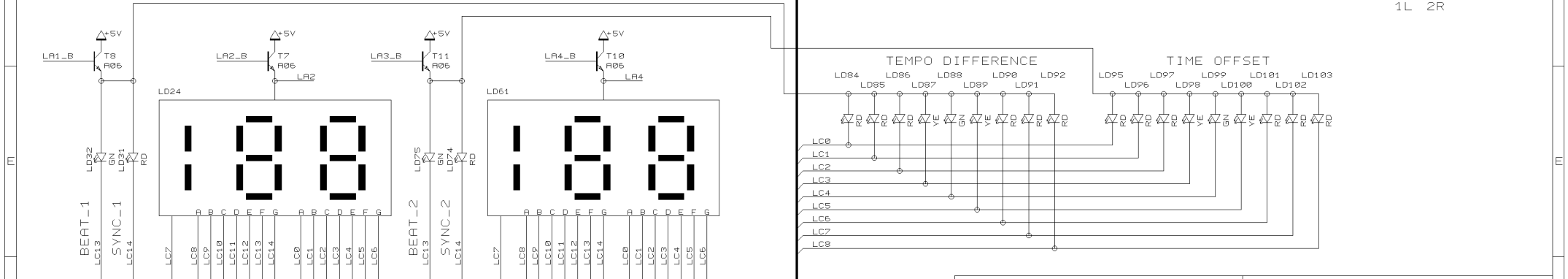
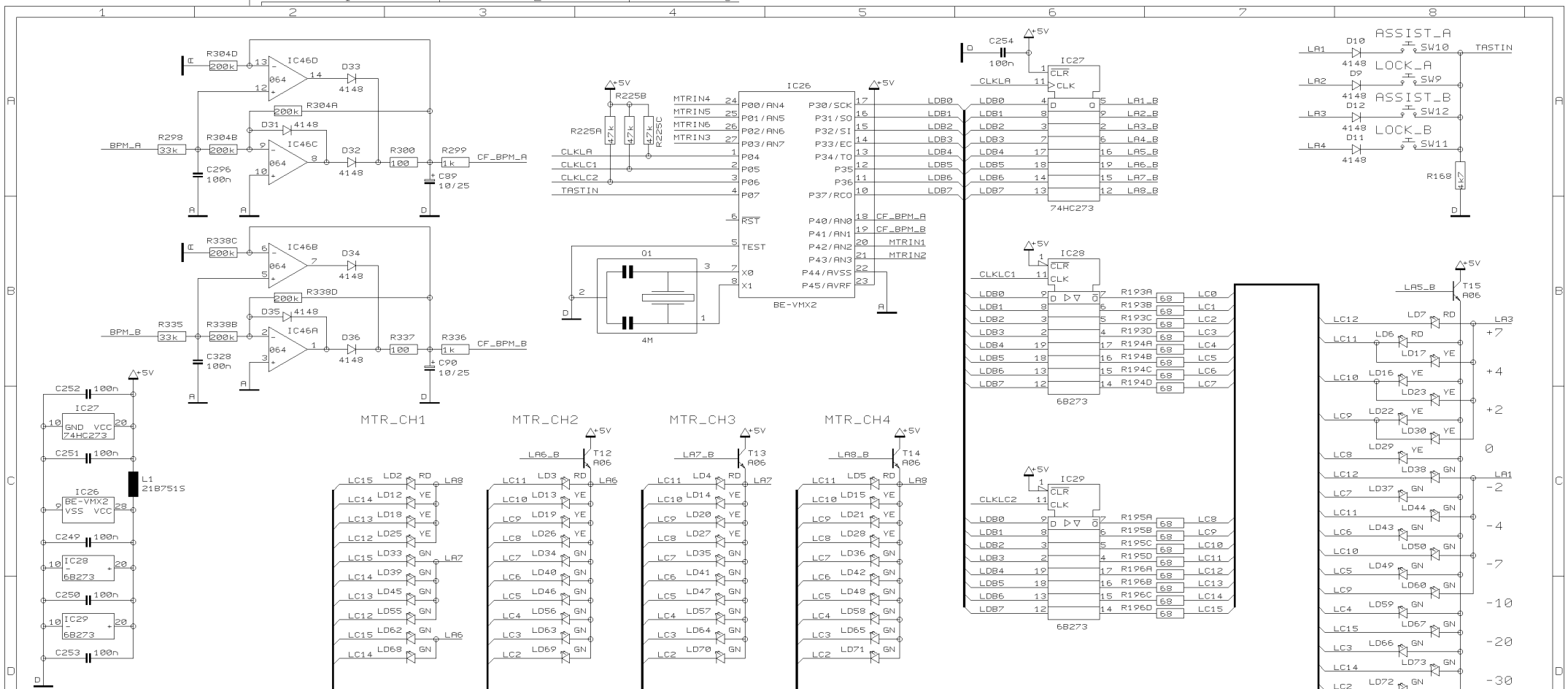
DRAWN ORO

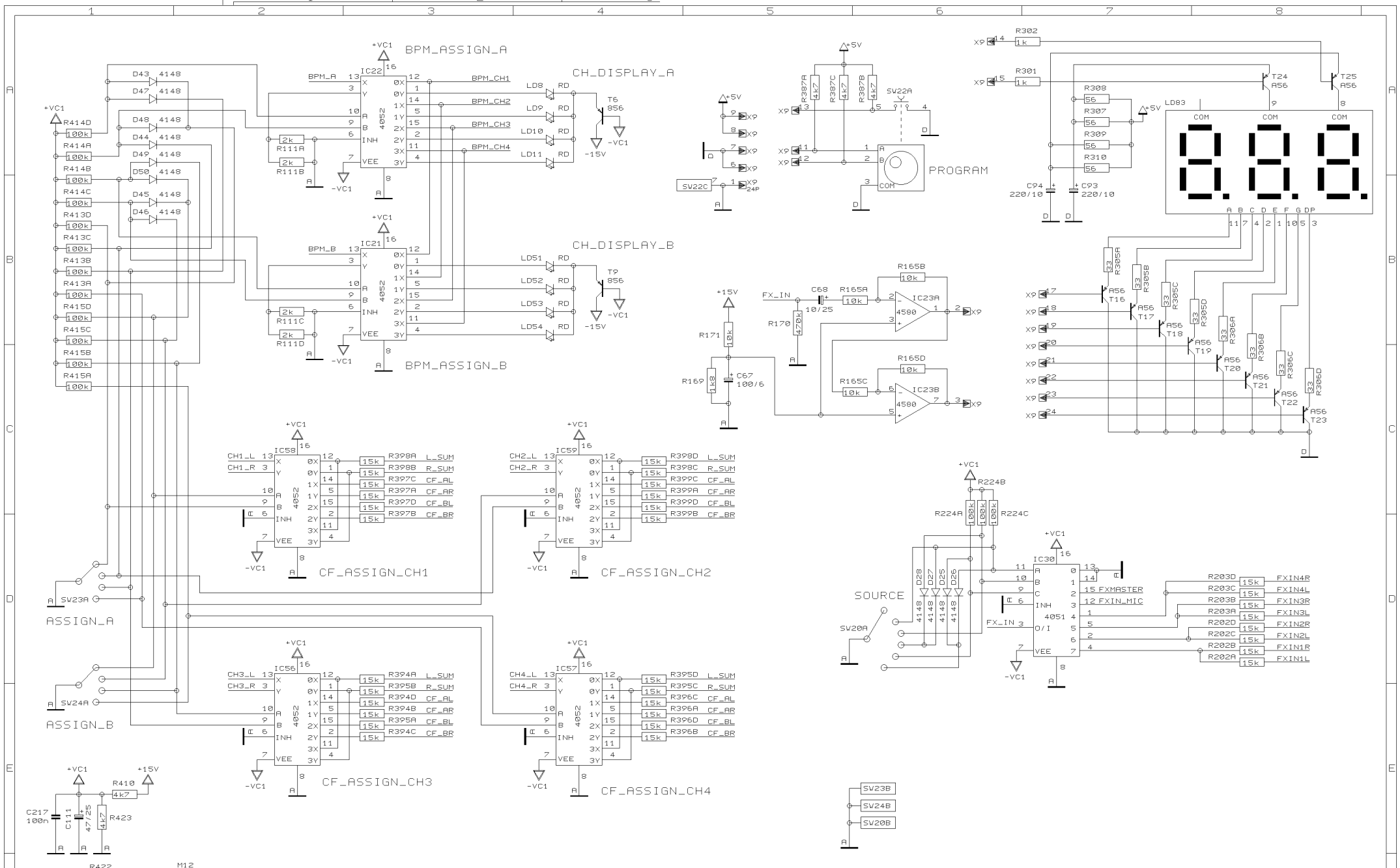
CHECKED

DATE 20.04.4  
11:32

**BEHRINGER**  
Specialized Studio Equipment

PROJECT  
DJX700  
PRO MIXER  
MAIN SECTION  
SHEET 6 OF 9 SHEETS TOTAL



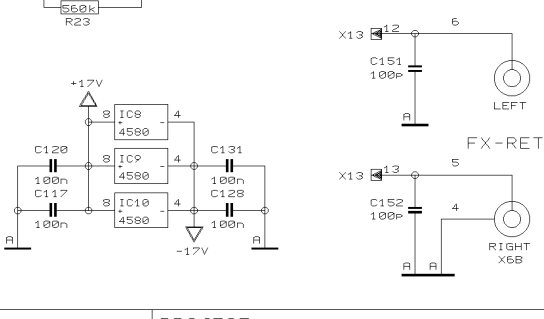
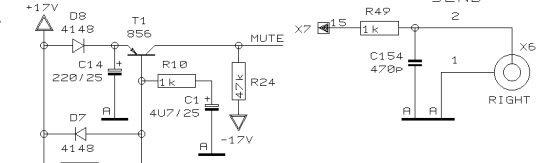
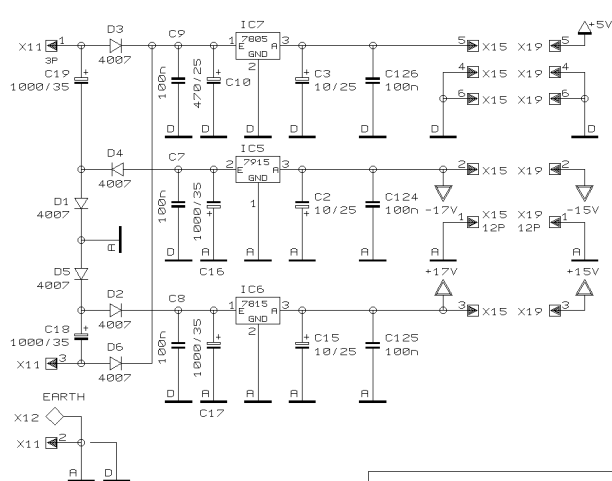
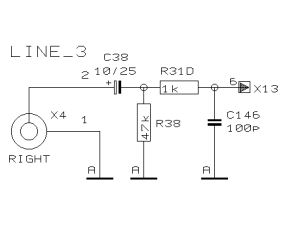
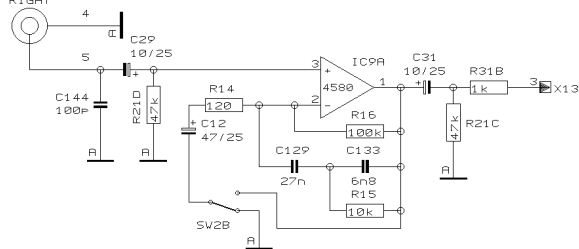
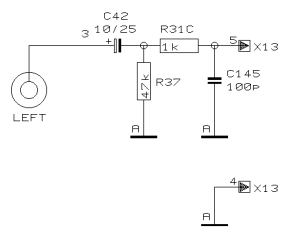
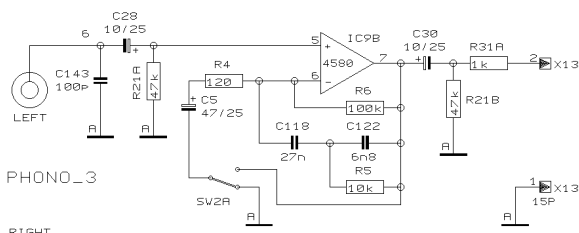
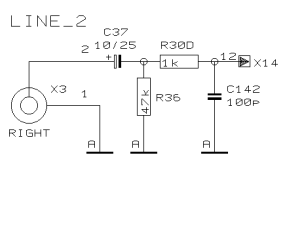
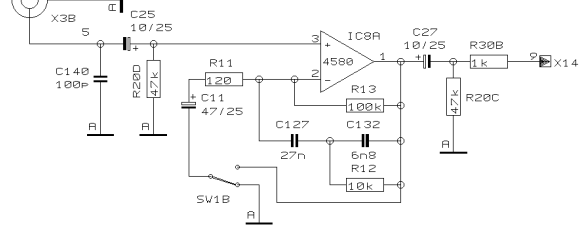
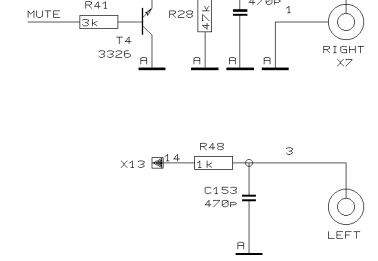
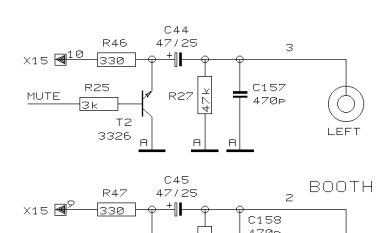
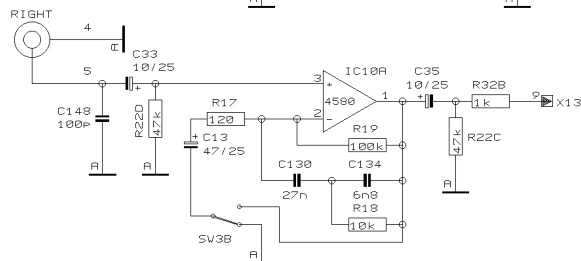
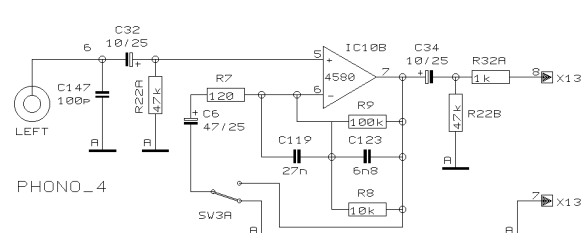
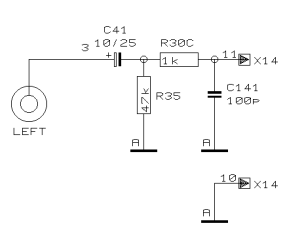
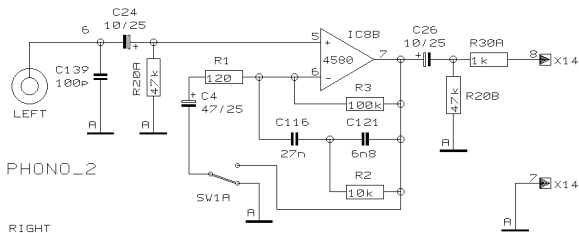
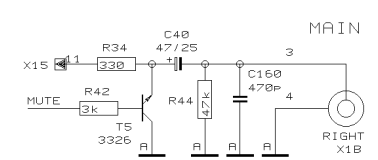
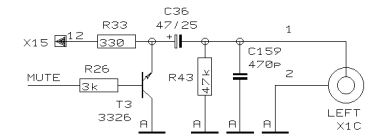
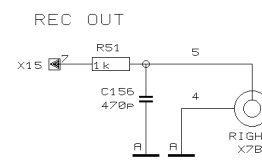
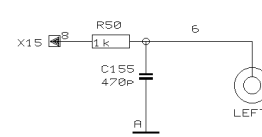
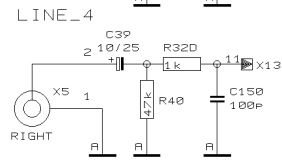
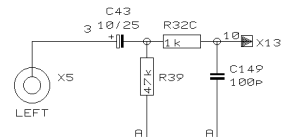
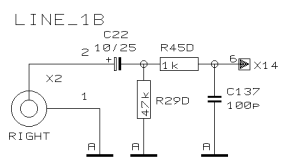
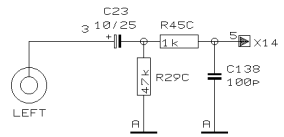
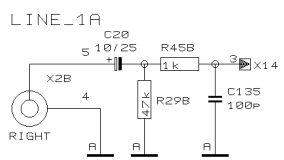
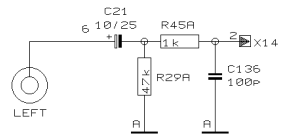


REVISIONS	F
DRAWN	ORO
CHECKED	
DATE	20.04. 4 11:32



PROJECT  
DJX700  
PRO MIXER  
BPM/FX ASSIGN  
SHEET 8 OF 9 SHEETS TOTAL

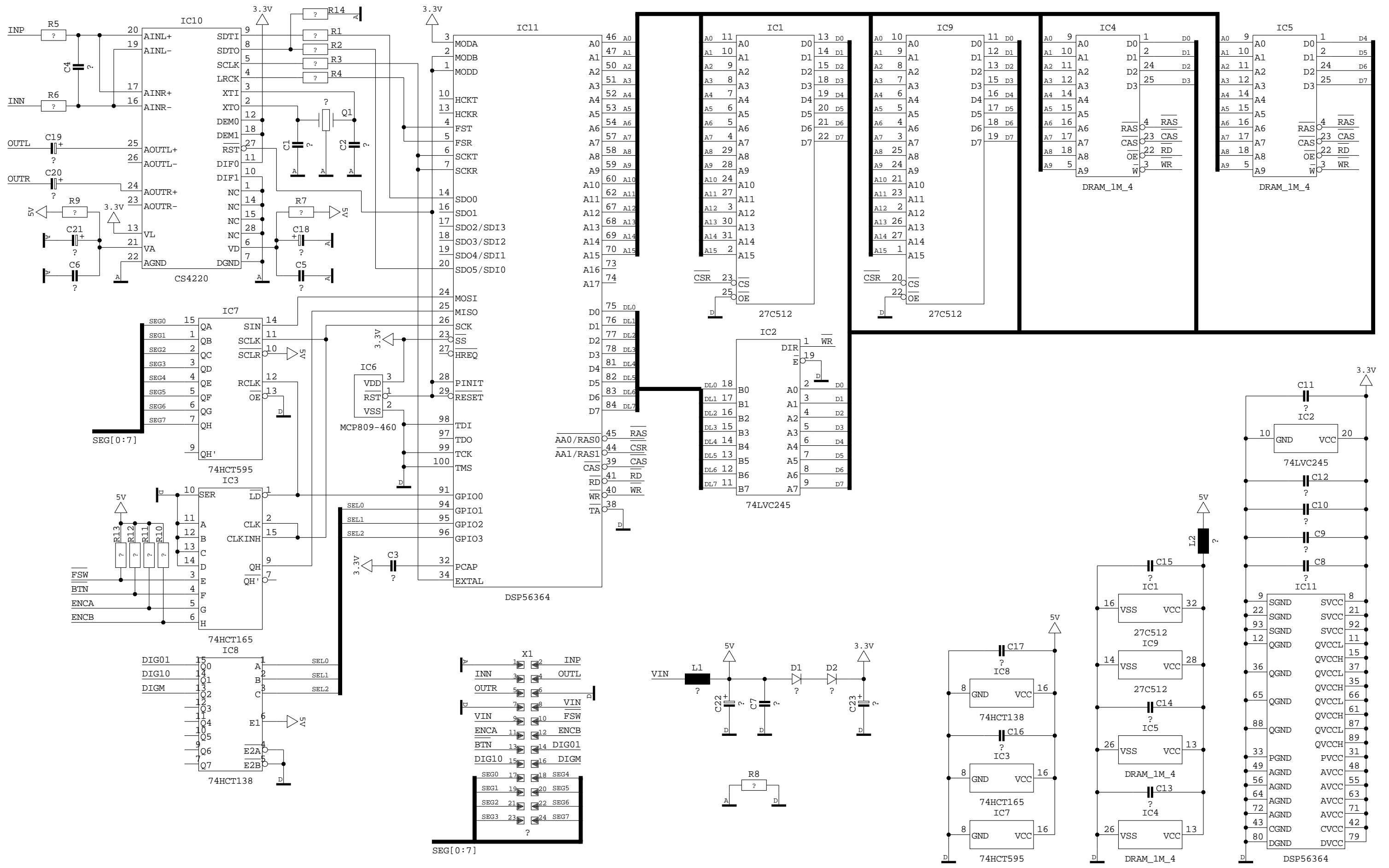




REVISIONS	F		
DRAWN	ORO	CHECKED	DATE 20.04.4 11:32



PROJECT  
DJX700  
PRO MIXER  
PRE-AMPS/PSU  
SHEET 9 OF 9 SHEETS TOTAL



REVISIONS  
A (March, 02. 2004)

DRAWN TZ      CHECKED      DATE  
3-3-2004\_16:49

**BEHRINGER**  
Specialized Studio Equipment

PROJECT  
DPM5M  
SHEET 1 OF 1 SHEETS TOTAL